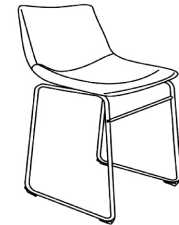
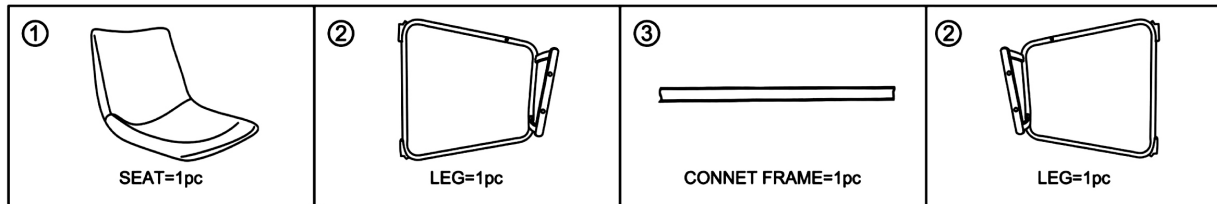


ASSEMBLY INSTRUCTIONS

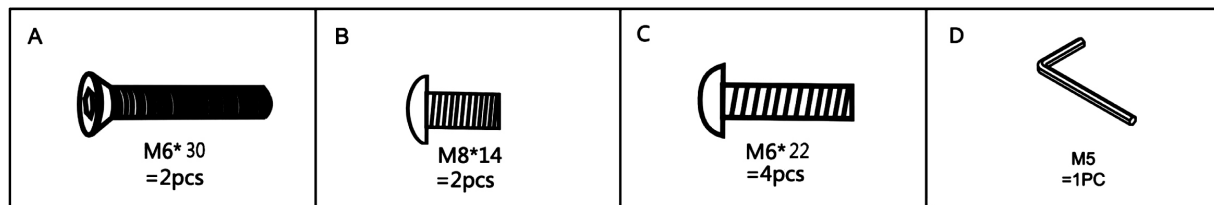
Prior to assembly please carefully read the assembly instructions



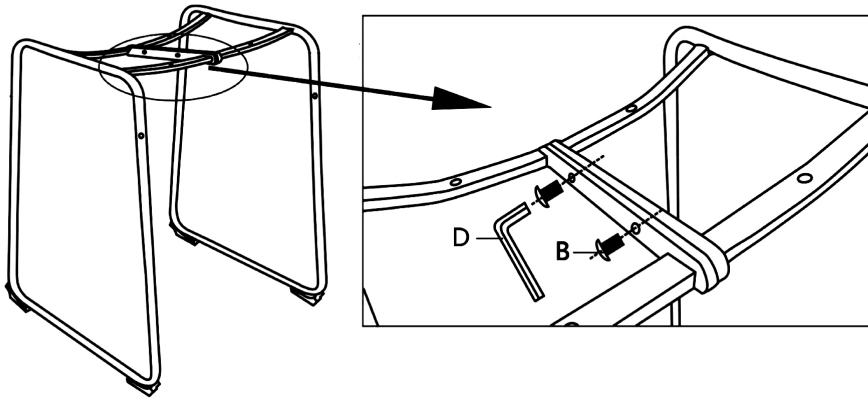
PART LIST



HARDWARE LIST

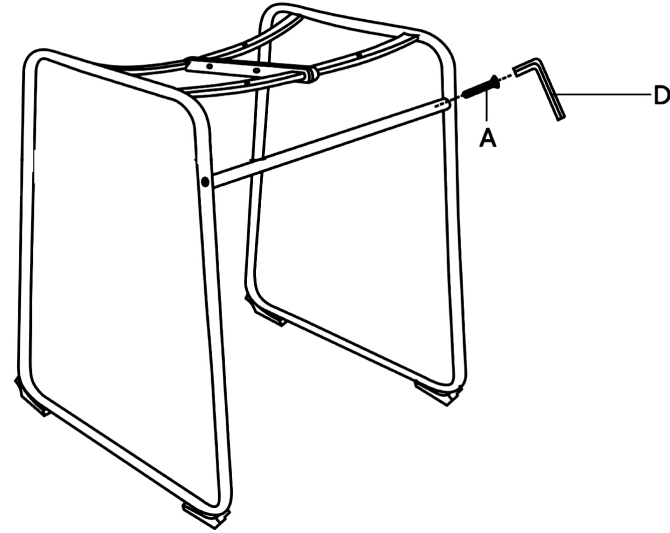


1

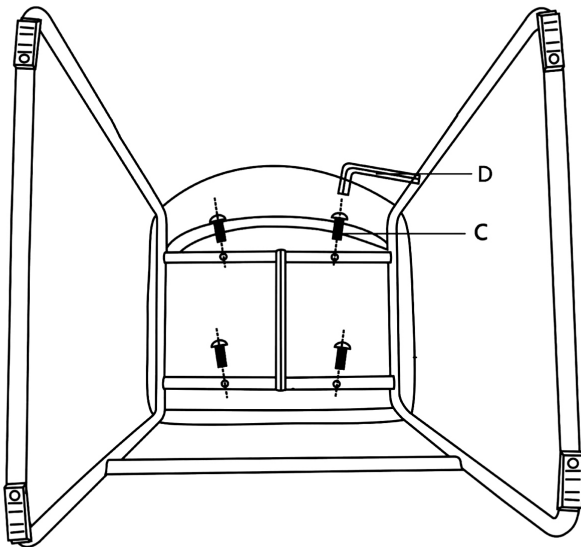


Insert the screws in the holes, then tighten them to 80% firstly.

2

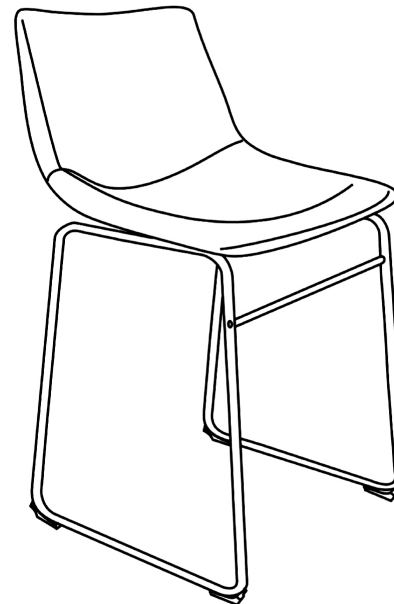


3



Insert the screws in the holes, then tighten them to 80% firstly.

4



Use body weight to adjust balance of chair, then tighten all the screws to 100% all the way.